

VILPE pass-throughs

## **VILPE is complementing its classical pass-through series: new pass-through for low pitched standing seam metal roofs**



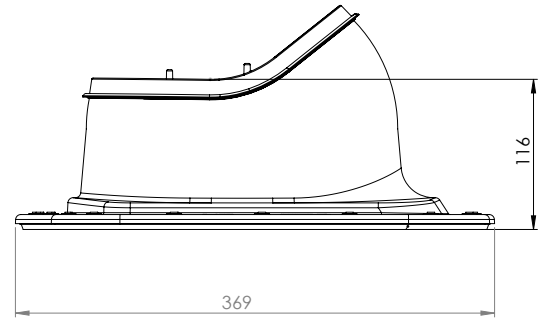
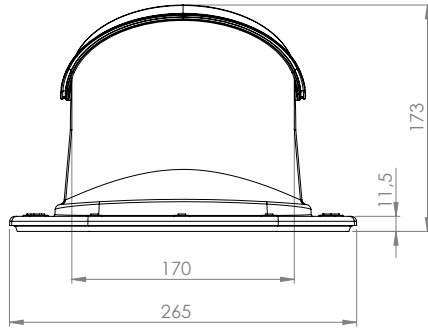
VILPE is complementing its classical pass-through series: new pass-through for low pitched standing seam metal roofs

VILPE's Classic Vino is a real pass-through classic and now the Classic series is complemented with a new Classic pass-through for low pitched roofs. Both pass-throughs in the Classic series suit standing seam metal roofs. Classic Vino can be installed on roof pitches up to 57 degrees. The new Classic pass-through for low pitched roofs is a customized solution for metal roofs with a pitch between 5 and 27 degrees.

The Classic pass-through is higher than Classic Vino. The new pass-through also has a rubber sealing between the pipe and the pass-through which eases installation and guarantees better watertightness. Thanks to the rubber sealing, it is not necessary to use adhesive mass.

The pass-through is needed to install VILPE's P-series roof fans, exhaust pipes and other ventilation pipes. The pass-through is produced in UV-protected polypropylene.

## Measurements



## Selection table for the Classic series

Pass-through	Roofing	Roof pitch	Pipe diameter (mm)
Classic pass-through low pitch	Plain standing seam roofing or if retrofitted, also felt roofing.	5–27 degrees	110–160
Classic Vino	Plain standing seam roofing or if retrofitted, also felt roofing.	11.5–57 degrees	110–160
XL Classic	Plain standing seam roofing or if retrofitted, also felt roofing.	Minimum roof pitch 1:5 (11.5°) See separate instruction if pitch lower than 11.5 degrees.	160–250

### Classic pass-through low pitch

Colour	Product number	Pcs/pallet
Black	746042	24
Brown	746044	24
Anthracite	74604D	24
Grey	746047	24
Red	746048	24
Brick red	746049	24
Light grey	746041	24

### Classic Vino

Colour	Product number	Pcs/pallet
Black	746022	24
Brown	746024	24
Green	746026	24
Grey	746027	24
Red	746028	24
Brick red	746029	24
Anthracite	74602D	24

### XL Classic

Colour	Product number	Pcs/pallet
Black	732542	12
Brown	732544	12
Grey	732547	12
Red	732548	12
Brick red	732549	12
Light grey	732541	12
Anthracite	73254D	12

VILPE Oy  
Kauppatie 9  
FI-65610 Mustasaari  
Finland

Sales & technical support  
Tel. +358 20 123 3222  
sales@vilpe.com



**VILPE**<sup>®</sup>  
Innovative and Easy